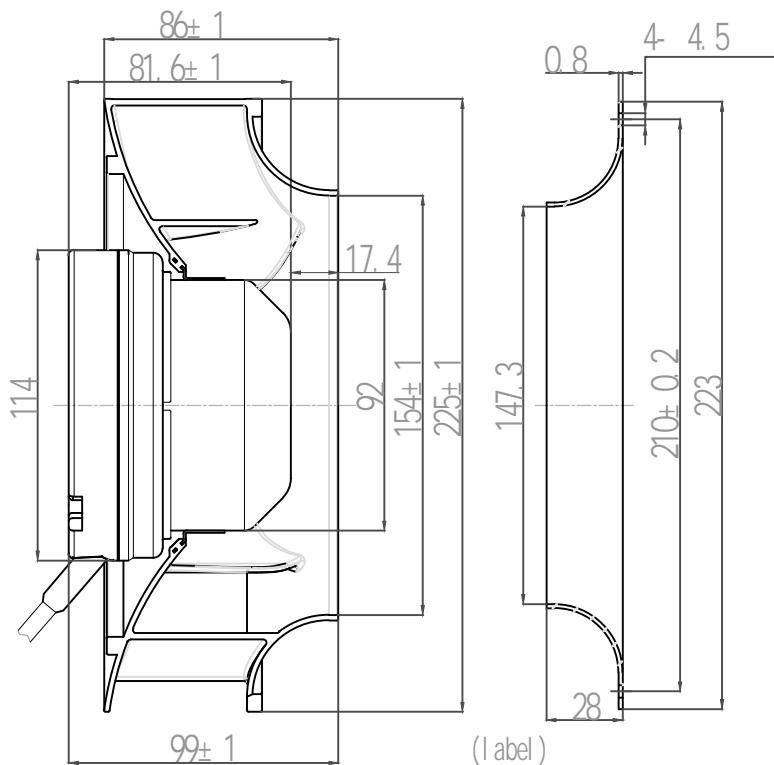


(Specifi cation)

1	(Rated Vol tage)	230 VAC	
2	(Vol tage Range)	230± 10% (VAC)	
3	(speed)	3020± 5% (r/min)	
4	(power)	155± 15% (W)	
5	(Air vol ume)	1314± 10% (m ³ /H)	
6	Tach Pulse Output	4 pulse/rev	
7	Rotati on	CW(see from rotor)	
8	Insulati on class	B (Class B)	
9	Duty cycle	(Continuous)	
10	Ambient temp	-25 +60	
11	Protected Class	IP44	
12	Dynamic balance	G6.3	
13	Electroni c Protected	(Yes)	
14	EMC	(Emi ssi on)	EN55014-1
		(Immuni ty)	EN55014-2



(Label)

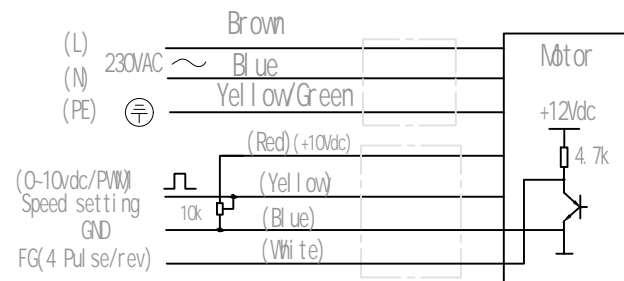
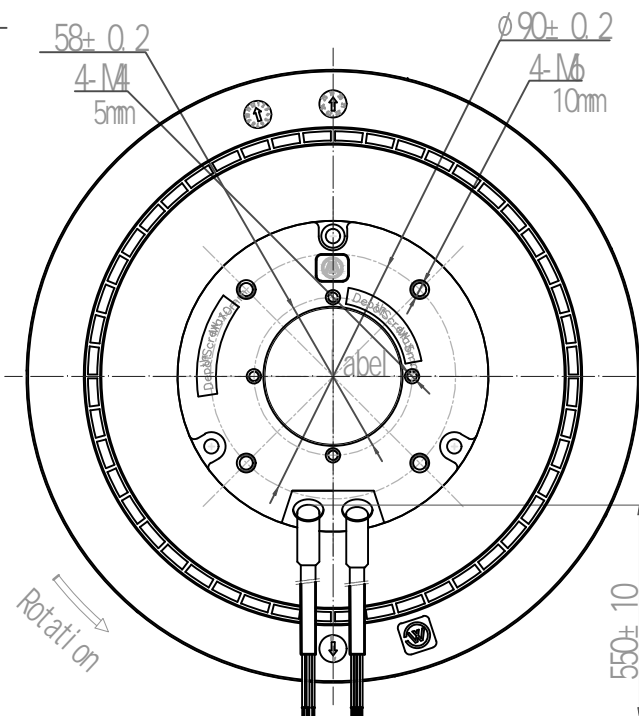


(AC Power Cable)

NO	Col our	Defi ni ti on	Guage
1			
2			UL2464 20AVG
3	/		

(Control Cable)

NO	Col our	Functi on	Guage
1		+10	
2			UL2464
3			22AVG
4			



FLH225/050B-2232W1-A08									
					A				
					1 1				